



# SURREY RADIO CONTACT CLUB

## MARCH 2007 — No: 774

CLUB NET 1.905 MHz Sunday 9:30am  
CLUB Natter Channel: 144.215 MHz Daily 8:30pm

CLUB Internet WEB Site:  
<http://www.g3src.org.uk>

Hon. Sec. Ray Howells G4FFY  
9 Aultone Way  
SUTTON  
Surrey SM1 3LD  
(020) 8644 7589  
E-Mail: [secretary@g3src.org.uk](mailto:secretary@g3src.org.uk)

### MONTHLY MEETINGS 1<sup>ST</sup> AND 3<sup>RD</sup> MONDAYS 7.45 FOR 8pm

Normally AT THE T.S. TERRA NOVA, 34 THE WALDRONS, SOUTH CROYDON, CR0 4AZ

\*\*\*\*\*

**"A" MEETING** 5<sup>th</sup> Mar 2007 **Spring Surplus Equipment Sale**

**"B" MEETING** 19<sup>th</sup> Mar 2007 **FIX-IT, ADVICE, CHIN-WAG, CLUB STATION + "MOVE-IT-ON"**

Chairman & Club Meetings	G4FDN Pat McGuinness	020-8643 0491
Vice-Chairman	G4WAY Roger Holyoake	020-8689 7089
Treasurer, Liaison & Equipment	G4DDY Maurice Fagg	020-8669 1480
Secretary, Membership & Communications	G4FFY Ray Howells	020-8644 7589
VHF Co-ordinator (Co-Opted)	G8IYS John Simkins	020-8657 0454
Publicity & HF Co-ordinator	M1MRS Robert Shepperley	020-8687 0811
Technical Topics	G4XAT Gareth Evans	020-8462 2837
Members	G3RJW Graham Marshall	020-8647 1186
	2EQUYP Peter Sutton	07974 296045

### Dear Members & Friends

Hello and welcome to the March 2007 Newsletter and I have just finished my 7-weeks of Radiotherapy treatment. I am told that the side effects may take up to 2 weeks to clear! And because I am on 12-weekly Zoladex hormone injections for another two years we won't understand how effective the radiotherapy has been until I finish these injections in 2009. In the short-term I have now had my Pre-Op Assessment for my Cataract extraction for my left eye, now to book the Operation . . .

The SRCC meetings for March start with the "A" meeting on Monday 5<sup>th</sup> March which will be the Spring Surplus Equipment Sale; with the "B" meeting on Monday 19<sup>th</sup> March, more on these below.

### ANNUAL GENERAL MEETING

I HEREBY GIVE NOTICE that the Annual General Meeting of the SRCC will be held on Monday 2<sup>nd</sup> April 2007 at the clubroom 7.45 for 8.00pm. Following our usual practice this notice is over a month ahead, but this is to comply with club rules. It allows time if there are any proposed alterations to the rules, or to give you an opportunity to raise any points at the AGM, the committee would like notice of important ones.

We also ask for nominations for committee, with such nominations (and acceptances) to be received by the committee prior to the opening of the AGM.

With the next newsletter I will include the minutes of the last AGM, the full agenda and a nomination slip for proposing members for the new committee and Secretary (nominated separately).

### NEXT "A" MEETING: Monday 5<sup>th</sup> Mar 2007 Spring Surplus Equipment Sale

We hope there will be a good turnout for this Spring Sale, when members can bring along items for sale and also items to be donated to the club. It is very helpful, as in the past, for sellers to be in the clubroom well before 8 o'clock, and no boxes of "rubbish" please. All members and visitors they have brought along must sign the attendance book and all must be conversant with the rules.

**Note** that the club accepts no responsibility for goods sold at this private sale, and the purchasers buy on the understanding that they are capable of determining the usability, fitness for purpose and SAFETY of goods obtained. The following also applies:

1. Only SRCC members are permitted to sell.
2. All items not donated must be marked with the name or callsign of vendor, brief description and details of any reserve price.
3. Bids should be in steps of 10p up to £1 and 25p thereafter (my be revised on the night)
4. Visitors are welcome but must be introduced by a member who is responsible for informing them of the rules.
5. All members and VISITORS must sign the attendance book.
6. Sellers will not be paid until all buyers have settled up.
7. The club levies 15% on all transactions.
8. Please try and arrive early to allow start by 8 o' c.
9. **PLEASE KEEP THE DOORWAY CLEAR FOR FIRE PRECAUTIONS.**
10. Club Room is now a NON-SMOKING area.

**NEXT "B" MEETING: Monday 19<sup>th</sup> Mar 2007  
FIX-IT, Advice, Chin-Wag & "MOVE-IT-ON"**

The "B" meeting on Monday 19<sup>th</sup> Feb is the regular "Fix-It" and advice evening with the extra twist. If you have a radio item or anything else that you just wish to clear out then bring it along - you never know it may be just what another member is looking for!

The Fix-It section has proved very interesting and successful so please bring along that item that has been giving you grief - rigs, PCs, whatever! The collective heads at the meeting usually come up with something.

**LAST "A" MEETING: Monday 5<sup>th</sup> Feb 2007 Sid Morley G3FWR & Ray Herbert G2KU Memorial Lecture - 30-Line Television Revisited with Jon GOGNA**

For our last "A" meeting held on Monday 5<sup>th</sup> Feb 2007 we were very pleased to welcome Jon Weller GOGNA for his talk and presentation entitled "30-line Television Revisited". Unfortunately Don McLean, who had hoped to attend as well, was unable to make it due to a last minute work commitment.



This talk was a follow-up of Jon's talk given a year ago and this time the Televisor worked - Jon kept his fingers out of it this time! Murphy's Law, however, dictated other technical gremlins but Jon successfully overcame these and we were treated to a short cartoon video of the "3 Little Piggy's" when they accidentally boiled Father Christmas.

We were then shown a short video of a 1990 Meeting of the Crystal Palace Society in which Ray Herbert G2KU was giving a presentation. This included details of 180 Line transmissions, pictures of a 10kw transmitter, the intermediate film system, and TV in a bomber (Marconi-EMI and Baird Co both had contracts). Ray flew in these from the summer of 1939 after joining the Baird Company. This was the world's first television from the air and I believe it was 400 lines.

Copies of this talk were made for the Narrow band TV Society and it was of these we were watching. The original higher definition master is still being sought.

We also saw some of the restoration work done by Don McLean including a 1933 program called "Looking In". This was an early 30 line TV transmission restored from a disc recording by Don in 2004. Computer enhancement produced an image but it won't run on a Televisor. There is also a double-CD produced by Don called "The Dawn of Television Remembered" which includes this clip - see:

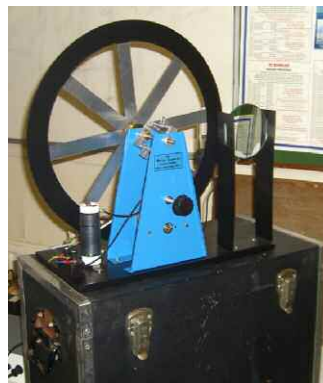
<http://www.tvdawn.com/DOTR.htm>

Over the weekend of 8<sup>th</sup>-9<sup>th</sup> Feb 2003 the 1928 transmission across the Atlantic was recreated from the Amberley Chalk Pits Museum on 15m. We are treated to some short video clips showing the station preparation, and in the shack of K2MP receiving G2TV operated by G2KU.

Finally we had a short clip of 30 line television through the Televisor replica that Jon had brought along (repaired from the finger trouble of last year!).

I noted that the BBC 30 line Television was shut down in 1935, replaced by the world's first regular high definition

405 Line service in 1936. I also learnt that Baird was born in 1888 and died in 1945 of a stroke.



*Televisor Replica*

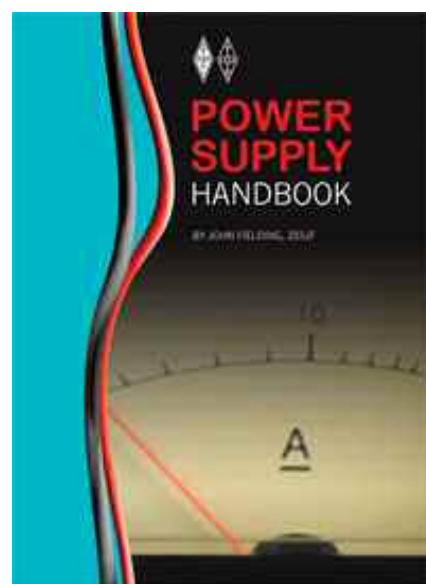
This was a very interesting evening and it was good to see Ray G2KU. We thank you Jon for taking the time to come to the SRCC and giving us an excellent evening.

**The CHAIRMAN's BLOG - Mar 2007**

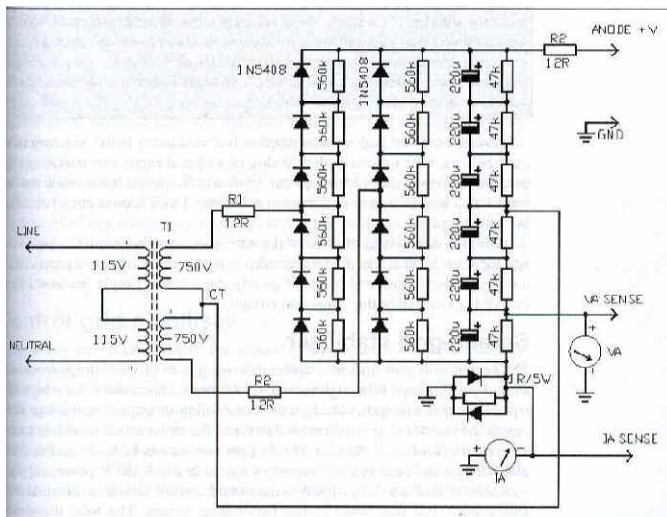


"I missed the February 'B' meeting as it coincided with my son's half-term break and a short family trip over to Germany by car. It had been a few years since our last trip and I guess the thing that made the most impression on me in terms of change were the number of wind farms for generating electricity that had sprung up. Even in the industrial areas like the Ruhrgebiet. I believe Germany now gets 20% of electricity from wind so the UK has a way to go to catch up. The Germans also seems to have a lead in the development and manufacture of the associated technology. One of the British stereotypes of Germans is they lack a sense of humour and don't know how to have fun. In my experience this is very far from the truth. In many places in Germany the pre-Lent Mardi-Gras style festivities known as Carneval or Fasching are celebrated, and if anyone has been to say Cologne at this time the days up to and including Shrove Tuesday are ones of day long and night long partying. This trip to Germany was one where I didn't do any radio and I haven't achieved much radio wise the rest of February either.

I have however been doing some reading. One of the books I got at Christmas was the new Power Supply Handbook from the RSGB/ARRL written by John Fielding, ZS5JF. Overall it is quite a good practical book but the section on switched mode power supplies omitted any serious mention of PC PSU's or practical advice on modifications for amateur use.



The section on high voltage supplies also perpetuated the myth for the need for paralleled potential divider resistors across series connected rectifier diodes.



Extract from Page 201 of *The Power Supply Handbook*

Given that John Fielding is a professional engineer I am surprised that he is not aware that for the last 25 years or so most silicon rectifiers have been manufactured with reverse mode avalanche characteristics obviating the need for such resistors. Originally, it was necessary to protect series connected silicon rectifiers as unequal leakage resistances between rectifiers could exist causing unequal voltage sharing under reverse polarity. The leakage resistances were swamped by lower value external shunting resistors that forced equal voltage sharing. With the reverse mode avalanche characteristic the diode is protected against arcing. The diode conducts with a reverse potential that is lower than the arc voltage. Unlike an arc, which once established exhibits a high current and low voltage, the avalanche does not produce a low voltage condition. Therefore modern silicon rectifiers with a reverse mode avalanche characteristic will not allow a dangerous internal junction arc to occur. In addition, it should be noted that most resistors have a voltage rating of around 300V, so if used as a rectifier shunt, and the reverse voltage across the diode exceeds this, then the resistor can fail s/c or near s/c possibly causing subsequent failure in the rest of the resistor and rectifier chain. I'm not sure who does the editorial reviews for the RSGB but I recall both the Technical Topics and In Practice columns of RadCom have covered this topic in the past.

Also on the reading front there were some interesting construction articles in the March edition of QST. First a PIC based Tx/Rx sequencer for use with amplifiers and transverters, and a dual band 2m/70cm roll up ribbon cable based J-pole antenna. With respect to the latter I know that Gareth G4XAT has experimented with these in the past but without much success so he and his M3's from Trinity might be interested in seeing the article.

That's it from me this month except to ask please consider bringing something along to the Surplus Equipment evening either for sale or for donation towards club funds. If you need help with transport please contact one of the committee beforehand.

73, Pat G4FDN

24<sup>th</sup> Jan 07"

### Update from Hans Summers GOUPL

"I echo what one of your members wrote in the February newsletter, concerning the best way to remove the top and bottom of a baked bean can (or other). Cheap tin-openers cut the tin just below the rim, making it easy to cut off both the top and bottom of the tin leaving just the walls without the thick rigid rim. Homepage sell "Tin Snips" which are very useful for cutting the resulting cylinder of tin-wall, which can then be pressed into a flat sheet. As your member wrote, do be careful of the very sharp edges.

It's interesting that you found pears in non-corrugated tins. So far I always used the half-size Heinz beans cans (200g cans), which are non-corrugated. But if the pears are a 400g "full size" tin, all the better for the larger sheet of resulting tin!

I have not had any trouble with rusting although I haven't tried to use it for any outdoors sorts of projects.

Hans Summers GOUPL

18th Feb 07"

## THE CALENDAR SECTION

### SRCC and Local Club Meeting Dates:

1 <sup>st</sup> Mar	Sutton & Cheam RS – 'Natter Night'. Meetings @ Vice Presidents Lounge, Sutton United Football Club, Gander Green Lane, Sutton –8pm. Sec: John G0BWV 020-8644 9945 <a href="http://www.scrs.org.uk">www.scrs.org.uk</a>
2 <sup>nd</sup> Mar	Crystal Palace: An Evening on the Air on HF and VHF @ All Saints Church Parish Rooms, Beulah Hill from 7:30pm. Bob G30OU 01737 552170 (Meet monthly on 1 <sup>st</sup> Friday) <a href="http://members.aol.com/rfcburns">http://members.aol.com/rfcburns</a>
5 <sup>th</sup> Mar	<b>Spring Surplus Equipment Sale</b>
9 <sup>th</sup> Mar	W&DARS – Raynet by Nigel G1XBV @ Martin Way Methodist Church, Buckleigh Avenue, MERTON PARK SW20 9JZ – 7.30 for 8pm 2 <sup>nd</sup> & last Friday's Details: Jim M0CON on 020-8874 7456 <a href="http://www.gx3wim.org.uk/">http://www.gx3wim.org.uk/</a>
12 <sup>th</sup> Mar	CATS: Society Equipment Evening – Meetings normally held @ St. Swithun's Church Hall, Grovelands Rd, Purley 8pm 2 <sup>nd</sup> Monday's. Contact Andy Jackson G8JAC on 020-8651 2727 <a href="mailto:g8jac@btinternet.com">g8jac@btinternet.com</a>
15 <sup>th</sup> Mar	Sutton & Cheam RS – 'The Evolution of British Army Radio from WWII to Clansman' by Andy Jackson G8JAC. Meetings @ Vice Presidents Lounge, Sutton United Football Club, Gander Green Lane, Sutton – 7.30 for 8pm. Sec: John G0BWV 020-8644 9945 <a href="http://www.scrs.org.uk">www.scrs.org.uk</a>
19 <sup>th</sup> Mar	<b>Fix-It, Advice, Chin-Wag, Move-It-On</b>
20 <sup>th</sup> Mar	Bromley & District – TBA - Meetings normally on 3 <sup>rd</sup> Tuesday's @ Victory Social Club, Kechill Gardens, Hayes – 7.30 for 8. Paul M3PGW <a href="mailto:bdars@greenwand.net">bdars@greenwand.net</a> or <a href="http://www.bdars.org.uk">www.bdars.org.uk</a>
21 <sup>st</sup> or 28 <sup>th</sup> Mar	Crawley ARC–The new OFCOM licence requirements and how to obtain a license on-line @ Hut 18, Tilgate Forest Recreational Centre, Tilgate Forest, Crawley – 7.30pm. Sec: Keith G8KZZ on 01403 257788 <a href="http://www.carc.org.uk">www.carc.org.uk</a>
27 <sup>th</sup> Mar	Dorking & District Radio Society – normally meet on 4 <sup>th</sup> Tuesdays @ Friends Meeting House, Butterhill South Street, Dorking – opp. Spotted Dog. Details: Walter Blanchard, G3JKV on 01306 884359 <a href="mailto:wb@g3jkv.co.uk">wb@g3jkv.co.uk</a>
28 <sup>th</sup> Mar	Mitcham & District ARS (Meetings normally last Wednesday of each month) @ ATC Headquarters, Commonsides West, Mitcham. Sec: Mike Knott G0WCR 020-8764 4716
30 <sup>th</sup> Mar	W&DARS – "On Air" and Construction @ Martin Way Methodist Church, Buckleigh Avenue, MERTON PARK SW20 9JZ – 7.30 for 8pm 2 <sup>nd</sup> & last Friday's Details: Jim M0CON on 020-8874 7456 <a href="http://www.gx3wim.org.uk/">http://www.gx3wim.org.uk/</a>
24 <sup>th</sup> Mar	<b>Annual Club Dinner</b> – Beefeater Park Place, Mitcham, 7:30 for 8pm. £5 Deposit per person to Ray G4FFY please to reserve your place.
2 <sup>nd</sup> Apr	<b>AGM</b>
23 <sup>rd</sup> Apr	<b>VHF NFD 2007 Planning Meeting @ John's G8IYS – RSVP</b>
14 <sup>th</sup> May	<b>Constructing Evening</b>
4 <sup>th</sup> Jun	<b>BBQ @ G3ZPB's</b>
2 <sup>nd</sup> Jul	<b>Construction Contest</b>

SRCC Meetings indicated in BOLD with venue of Terra Nova

## Rally Calendar, etc:

3 <sup>rd</sup> -4 <sup>th</sup> Mar 2007	<b>Firepower, The Royal Artillery Museum,</b> Royal Arsenal, Woolwich, SE London. Vintage radio display. Demo and radio junk sale (no computers). Open 10:30 both days. Details: 020 8654 2582. Email: M1CCF@talktalk.net Web: <a href="http://tinyurl.com/y2jaze">http://tinyurl.com/y2jaze</a>
17 <sup>th</sup> Mar 07	<b>Crystal Palace Radio &amp; Electronics Club Annual Spring Sale,</b> St Johns Church Hall, Sylvan Road, London, SE19. 10.00 – 13.00. Contact: Bob Burns G3OOU <a href="mailto:g3oou@aol.com">g3oou@aol.com</a>
15 <sup>th</sup> Apr 07	<b>West London Radio and Electronics Autumn Show</b> – Kempton Park <a href="http://www.radiofairs.co.uk">www.radiofairs.co.uk</a> – Additional attractions of a craft fair on the 1 <sup>st</sup> floor, and RSGB Top Ham Contest. Programme should also include VHF Talk-In managed by Whitton, 'Byte-Size' Lectures, and Bring & Buy Sale run by CATS. Restaurant on the 2 <sup>nd</sup> Floor with those glorious views over the racecourse.
20 <sup>th</sup> May 07	<b>Dunstable Downs Radio Club Boot sale.</b> Details: <a href="http://www.ddrcbootsale.org/">http://www.ddrcbootsale.org/</a>
15 <sup>th</sup> Jul 07	<b>McMichael Rally and Boot Fair</b> Reading RFC, Sonning Lane RG4 6ST Open 9:30am, entrance fee £2.00. Details <a href="http://www.radarc.org/MMRally.htm">http://www.radarc.org/MMRally.htm</a>

## Web-Site of the Month

From Charles M0BIN this month take a look at:

Amateur Radio Licence Update:

[http://www.southgatearc.org/news/february2007/uk\\_licence\\_updated.htm](http://www.southgatearc.org/news/february2007/uk_licence_updated.htm)

Virtual Ionosphere for the Radio Amateur:

<http://qsonet.com/index.html>

Some interesting stuff to play with:

<http://www.techlib.com/electronics/index.html>

L/C Meter Kit:

<http://www.aade.com/lcmeter.htm>

An Electronic Tutorial Radio Design site:

<http://my.integritynet.com.au/purdic/index.html>

Everyone should know about these (HomePlug):

<http://www.solwise.co.uk/net-powerline-pl-14pe.htm>

One for Bernie (may not be working though):

<http://g4oep.atspace.com/index.htm>

Antennas – a bit Technical:

<http://www.cebik.com/>

EU help fund Broadband over PowerLine (BPL) field tests:

[http://www.southgatearc.org/news/february2007/eu\\_bpl\\_tests.htm](http://www.southgatearc.org/news/february2007/eu_bpl_tests.htm)

Linux Starter Pack:

[http://www.thelinuxshop.co.uk/catalog/product\\_info.php?products\\_id=221](http://www.thelinuxshop.co.uk/catalog/product_info.php?products_id=221)

One of these for Field-Days?:

<http://www.radio-ham.eu/Download/Expert1K-FA-Brochure.pdf>

## SRCC Club Dinner: 24<sup>th</sup> Mar 2007

Don't forget the Club Dinner on Saturday 24<sup>th</sup> March, 7:30 for 8pm. It is being held at the Beefeater Park Place in Mitcham where we have had successful dinners over the past few years. I shall be pleased to take your bookings on a first come first served basis – [secretary@g3src.org.uk](mailto:secretary@g3src.org.uk) - or as per Secretary contact details – thank you. Its £5 per head deposit please – cheques payable to Ray Howells – thank you.

Due to the current refurbishment of Park Place it is shut until 17<sup>th</sup> Mar so we have not been able to obtain their new Menus.

## VHF NFD 2007 – Meeting 23<sup>rd</sup> Apr 2007

Following the meeting held last Monday 26<sup>th</sup> Feb 2007, it has been agreed that SRCC will participate in VHF NFD 2007 and hopefully from the same site. Following a review of band performance and normalised scores a momentous decision was taken that for this year we shall run a station on 4m (70MHz) rather than 23cm.

To progress further we have now set the next meeting of the team with John G8IYS for Monday night 23<sup>rd</sup> Apr 2007 from 8pm at his QTH of 18 Riding Hill, Sanderstead, CR2 9LN. Please advise John of your intention to attend either on 020-8657 0454 or [johns@connectnet.org.uk](mailto:johns@connectnet.org.uk)

Remember this years' VHF NFD is being held over the weekend of 7<sup>th</sup>/8<sup>th</sup> July.

## Thoughts of our Hayes, Kent Correspondent



"Half term provided a welcome respite from what has been a very hard term – I think our American Adventure took a lot more out than it replaced and I did not really begin to feel rested until the LAST Sunday of the half term break! Our two Greenpower cars are once again soaking up the man & pupil hours, going model flying with Reuben soaks up some more, our two new (rescue) cats 'TJ' (Tabby Jacket, a black tabby) and Freckles (A ginger tabby with a freckled nose!!) have also required company, but that was why we gave them a home after all. Amateur Radio continues apace at school, with full wave dipoles being made and portable beams being manufactured and tested, together with a surface mount dummy load and an Elecraft T1 ATU kit being built.

See you at the junk sale where, as auctioneer, you will have to endure my dulcet tones all evening, or until the 'valuable items' run out.

Gareth

1<sup>st</sup> Mar 07"

## Dorking 60<sup>th</sup> Reunion – 21<sup>st</sup> April 2007

I have received an Email from Walter G3JKV advising of an invite to the Dorking & District Radio Society 60<sup>th</sup> Reunion on 21<sup>st</sup> April. All old friends of the society are invited and I have already circulated by Email the invitation document detailing the event being held at The Garden Room, Denbies Vineyard, Dorking from 1100.

## New Member – Steve G4FYF

We are pleased to welcome back to the SRCC Steve Jones G4FYF. His membership application was accepted at the last committee meeting. Some of you may remember that Steve used to man the 4m station on VHF NFD Field Days with Mole G4FUU. He has acquired an FT101ZD to get him going (see last month's newsletter) – welcome back Steve. Steve's Email is [bumperdrive@tiscali.co.uk](mailto:bumperdrive@tiscali.co.uk)

## SIGNING OFF:

That's it for this month, apologies if I have missed anything. Our main meeting on Monday Mar 5<sup>th</sup> is the Spring Surplus Equipment Sale and we look forward to seeing you all then, with the "B" meeting on Monday 19<sup>th</sup> March.

I have failed again with the membership list production but at least I do now understand the sub status. Will work on the list next week and send it out by Email, otherwise it will sent with the April Newsletter.

And finally don't forget the Club Dinner on Saturday 24<sup>th</sup> March – there are still some places left so please me know if you wish to attend – it's a good night out at Park Place, Mitcham which reopens on the 17<sup>th</sup> March.

Ray G4FFY

73 and 88

Posted: 1<sup>st</sup> Mar 2007

# SPRING RADIO & ELECTRONICS SALE

hosted by

Crystal Palace Radio & Electronics Club

Amateur Radio, Electronics, Computing, Tools etc.

Saturday 17 March 2007

10:00am to 1:00pm

At St John's Hall, Sylvan Road, London, SE19

Tables for sellers (access at 8:00am):

Booked and paid in advance	£7.00 each
On the day (if any available)	£9.00 each

Admission (includes one free drink) under 16 years old	£1.00 each Free
---	--------------------

Refreshments available

Contact Bob on 01737 552170 or by email to [g30ou@aol.com](mailto:g30ou@aol.com)  
if you wish to hire a table or require more information  
Web site: <http://www.members.aol.com/rfcburns>

Location of hall:



## Transport and Parking:

- Free on street parking.
- Buses: 410 along Sylvan Rd., 468, 196, 249 on nearby roads
- BR Stations: Crystal Palace and Norwood Junction.

[www.tfl.gov.uk](http://www.tfl.gov.uk)