



# SURREY RADIO CONTACT CLUB

APRIL 2007 – No: 775

CLUB NET 1.905 MHz Sunday 9:30am  
CLUB Natter Channel: 144.215 MHz Daily 8:30pm

CLUB Internet WEB Site:  
<http://www.g3src.org.uk>

Hon. Sec. Ray Howells G4FFY  
9 Aultone Way  
SUTTON  
Surrey SM1 3LD  
(020) 8644 7589  
E-Mail: [secretary@g3src.org.uk](mailto:secretary@g3src.org.uk)

## MONTHLY MEETINGS 1<sup>ST</sup> AND 3<sup>RD</sup> MONDAYS 7.45 FOR 8pm

Normally AT THE T.S. TERRA NOVA, 34 THE WALDRONS, SOUTH CROYDON, CR0 4AZ

\*\*\*\*\*

**"A" MEETING 2<sup>nd</sup> Apr 2007 AGM**

**"B" MEETING 16<sup>th</sup> Apr 2007 FIX-IT, ADVICE, CHIN-WAG, CLUB STATION + "MOVE-IT-ON"**

Chairman & Club Meetings	G4FDN Pat McGuinness	020-8643 0491
Vice-Chairman	G4WAY Roger Holyoake	020-8689 7089
Treasurer, Liaison & Equipment	G4DDY Maurice Fagg	020-8669 1480
Secretary, Membership & Communications	G4FFY Ray Howells	020-8644 7589
VHF Co-ordinator (Co-Opted)	G8IYS John Simkins	020-8657 0454
Publicity & HF Co-ordinator	M1MRS Robert Shepperley	020-8687 0811
Technical Topics	G4XAT Gareth Evans	020-8462 2837
Members	G3RJW Graham Marshall	020-8647 1186
	2EQUYP Peter Sutton	07974 296045

### Dear Members & Friends

Hello and welcome to the April 2007 Newsletter and I pleased that following my completion of the Radiotherapy treatment at the end of February, the side effects have now finally cleared up – hooray! Now I have my left eye Cataract extraction operation in April, just prior to the Kempton Radio rally on Sunday 15<sup>th</sup> April, so that will be interesting. Anyway that's enough about me so to the newsletter proper.

Another year has gone by quickly and here we are at the 2007 AGM to be held on Monday 2<sup>nd</sup> April. We hope we get a good turnout, as this is a barometer of the health of the club and endorsement of the work the committee does.

The other meeting this month is the regular "Fix-It" and "Move-It On" Meeting on Monday 16<sup>th</sup> April at Terra Nova. More about these below but firstly:

### NEXT "A" MEETING: Monday 2<sup>nd</sup> Apr 2007 ANNUAL GENERAL MEETING

Formal notice of this ANNUAL GENERAL MEETING was given in the last newsletter. This will be held on Monday 2<sup>nd</sup> April at the Terra Nova Clubroom, 7.45 for 8pm. Enclosed are the minutes of the last AGM (Accounts will be available on the night) to be brought along on the night, as they have to be accepted. At the end of this newsletter are the AGENDA and also a nomination form for proposing members for the 2007/08 committee. The acceptance of the nominee must be obtained and the form must be in the hands of the committee prior to the Chairman opening the meeting.

The committee consists of the Secretary (to be separately nominated) and seven members. The names of nominees will be displayed on the blackboard before the meeting. The Chairman, Vice-Chairman and Treasurer will be selected from the seven elected members.

THIS PROBABLY IS, OR SHOULD BE, THE MOST IMPORTANT MEETING OF THE YEAR, so please make an effort to attend even if you are not normally able to get along to other club meetings. This is your opportunity to elect your committee so please use the nomination slip at the end of this Newsletter for the person you would like to put forward. The retiring committee are all willing to stand again

At the AGM you will also be able to find out how the club has been operating during the past year, scrutinise the accounts, and to express your thoughts on Meetings, Contests, Projects, Outings etc, which does help the committee to plan ahead (Also see Chairman's blog).

### NEXT "B" MEETING: Monday 16<sup>th</sup> Apr 2007 FIX-IT, Advice, Chin-Wag & "MOVE-IT-ON"

The "B" meeting on Monday 16<sup>th</sup> April is the regular "Fix-It" and advice evening with the extra twist. If you have a radio item or anything else that you just wish to clear out then bring it along - you never know it may be just what another member is looking for!

The Fix-It section has proved very interesting and successful so please bring along that item that has been giving you grief - rigs, PCs, whatever! The collective heads at the meeting usually come up with something.

## LAST "A" MEETING: Monday 5<sup>th</sup> Mar 2007 Spring Surplus Equipment Sale

A good turnout was achieved for this sale, which raised over £100 for Club funds. It was nice to see the visitors who, along with the regulars, had an enjoyable evening. For the sale our auctioneer Gareth G4XAT, who along with Maurice G4DDY, ensured the Sale went smoothly and entertainingly. There was some bargains to be had as Pat G4FDN testifies in his blog, but as he notes some bids were extremely poor and may potentially be a disincentive for some sellers.

We also thank Maurice G4DDY for his "behind the scene" work in collecting the bits and pieces which form part of the items for sale for Club funds – it makes quite an impact on the Club finances and helps towards keeping the subs low – more about that no doubt at the AGM. So thanks for the excellent evening go to the Auctioneer pairing of Gareth G4XAT and Maurice G4DDY. Thanks also to Peter G3ZPB for keeping the accounts in order, whom I help.

## The CHAIRMAN's BLOG – Apr 2007



"As I'm sure has been reported elsewhere the club dinner was a very enjoyable evening and my thanks to all members, spouses, friends, etc, that supported this event. Thanks are also due to Prim G4CCY and Ray G4FFY for organising the event.

As usual there were many bargains to be had a last month's surplus equipment sale. However I do have fears that some of the bids were extremely poor and could be a disincentive to future sellers. At the very least I think we need to increase the minimum bid amount from 10p to something like 25p or 50p. One item donated to the club, an Ekco valve AM/FM receiver,



only received a bid of 10p. I then bid 50p hoping to spur on the original bidder to something higher but they declined so mine then unexpectedly became the winning bid. The radio appears to be complete and unmodified but the drive cord is broken and requires re-threading.

At the 'B' meeting I unexpectedly became the owner of a second Ekco valve receiver of similar vintage – this time a MW/LW only set.



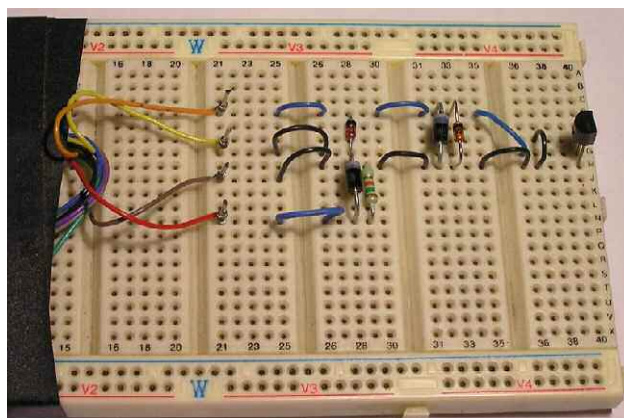
Graham G3RJW felt I could benefit from a working set for comparison. He also kindly provided a circuit diagram as well! The set certainly gives good reception of RTE1 on 252kHz.

At the 'B' meeting I brought along my laptop for a couple of reasons. One was to go through the installation and config of Winpack 6.80 with John G3BFP. The other reason was to demonstrate RufzXP which I had mentioned in an earlier blog. "Rufz" is the abbreviation of the German word "Rufzeichen-Hören", (<http://rufzxp.net>)



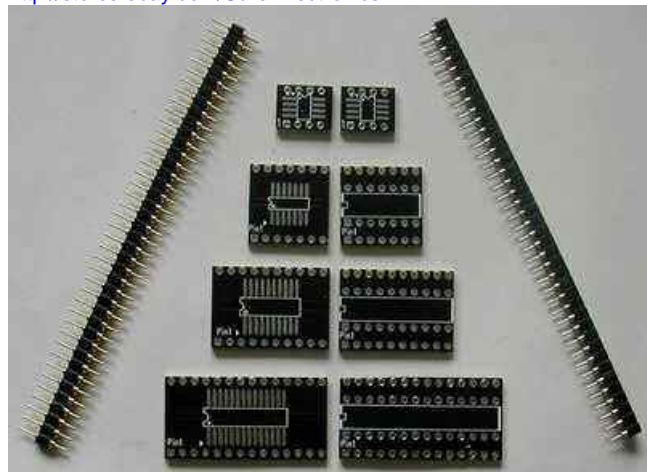
which means "Listening to Callsigns". RufzXP is excellent training software for improving CW code speed and particularly (ultra) high speed memory copying of amateur radio callsigns. It is no contest simulator and does not provide for QRM – though it does vary the beat tone frequency. It provides additional tools for keeping track of training progress and comparing with other operators via International RufzXP Top list. RufzXP is an official competition of IARU High Speed Telegraphy Championships. It is simple to use. You enter your callsign and the initial receive speed you would like. It then sends you a legal but random callsign which you enter via the keyboard. If correct it ups the speed, or if not it decreases the speed and sends you another callsign which you enter once more. It does this up to 50 times (the 'standard' session) unless you hit abort. John G3BFP had a good a good bash it and was consistently receiving at around 37 wpm. Graham G3RJW and Steve G4FYF also had a go. It may be fun to run an informal club league table and I will bring it along again to the next 'B' meeting to gauge interest. The XP in RufzXP means it runs under XP but also runs under Vista, 2000, NT, ME & 98. "Tancredi" is just the version specific name.

On the technical/operating side this month I managed to have a PSK31 QSO on 2m with Graham G3RJW, with Peter 2E0UYP monitoring. I was using a Yaesu FT-100 and Graham a Yaesu FT-736. We both found that there were considerable differences in the audio drive requirements and ALC operation between the HF and VHF side of the rigs. On the FT-736 the same audio drive as used on 20m brought on the ALC on 2m producing a PSK31 signal with multiple sidebands. On the FT-100 the opposite occurred – there was hardly any output until I increased the audio drive. The range available from the soundcard 'soft' level control being insufficient so I had to re-adjust the pre-set pot in my isolating rig-PC interface. So I guess the general caveat learned from this exercise is don't expect your rig to have exactly the same audio/ALC characteristics between bands and especially between HF and VHF.



On the experimenting side of things I have often used electronic breadboard for lashing up circuits quickly where layout wasn't critical.

My experience with them is very positive especially with digital interfacing. However as more and more components are only available in SMD versions the issue is one cannot plug in SMD components to breadboard. I have finally found a solution to this problem with SMD to DIL converter boards which I got from a Chinese supplier called Sure-Electronics.  
<http://stores.ebay.com/Sure-Electronics>



As you can see they come in various sizes 8-28 pin and use the header pins shown on the side to provide the contact between the breadboard and the converter board. All I have to do now is pluck up the courage to solder my AD9851 DDS chip to the converter board.

Finally, this summer I will be operating in Ireland under the new call EI2JW instead of EI/G4FDN which I have used previously. It allows me to operate 6m and also 4m which the CEPT licence didn't allow in Ireland.

Hope to see you all at the AGM. As well as normal AGM business we plan to have a participative AOB discussion on several topics including the next construction project and accommodation.

73, Pat G4FDN

26<sup>th</sup> Mar 07<sup>th</sup>

### Thoughts of our Hayes, Kent Correspondent



I'm writing this just a couple of days off the end of the spring term and I am really looking forward to a break – even if it means decorating! As usual it has been busy term with Upper and Lower 6<sup>th</sup> project work providing a break from formal teaching and a chance to delve into that deep resource of useful circuits that solve specific problems. This year it has been the turn of Schmitt trigger based relaxation oscillators or simple re-trigger able mono-stables using the same CMOS 40106. I must have used hundreds of these handy little chips (6 Schmitt inverters in a 14 pin DIL) over the years as they have figured in a number of circuits.

On the radio front there has been some activity, with two pupils jointly assembling the excellent Elecraft T1 auto ATU kit – which worked first time – and a couple of 6 element fishing pole yagis for 2 metres. There are 3 more 12 ele ZL specials in the pipeline too.

Our new race car, TSR-4, is beginning to look like a car, although whether or not it performs like one at the season opener at the end of April remains to be seen. It is mostly Joshua's design and planning, I have only helped out on the more advanced stuff like showing him how to gas weld. The car embodies most of what we have learnt over our 5 years racing, sports a 14 speed hub and a target top speed of over 50 mph!! EEK!! To cope with this, it has two disc brakes, a wider track and negative camber all round. Meanwhile Reuben has been busy refining his aerobatic routines with a variety of airframes and even test flew my latest creation which has taken me nearly a year to build. It flies a treat though and can perform unexpected manoeuvres for aircraft, including an 'elevator' where the plane sits in a slightly nose-up inverted attitude, but just sinks vertically.

On the home front, our two cats are settling in nicely and are developing their niche in our lives. It's nice having purring bundles of fur arrive on the bed a few minutes before the alarm every morning, although getting that message across to our feline companions has been, well, like herding cats!!

See you at the AGM.

Gareth, G4XAT

27<sup>th</sup> Mar 07<sup>th</sup>

## THE CALENDAR SECTION

### SRCC and Local Club Meeting Dates:

<b>2<sup>nd</sup> Apr</b>	<b>67<sup>th</sup> AGM</b>
5 <sup>th</sup> Apr	Sutton & Cheam RS – 'Natter Night'. Meetings @ Vice Presidents Lounge, Sutton United Football Club, Gander Green Lane, Sutton –8pm. Sec: John G0BWV 020-8644 9945 <a href="http://www.scrs.org.uk">www.scrs.org.uk</a>
9 <sup>th</sup> Apr	CATS: DF Antenna & Receiver Project with Terry G4CDY (subject to confirmation as Easter Monday) – Meetings normally held @ St. Swithun's Church Hall, Grovelands Rd, Purley 8pm 2 <sup>nd</sup> Monday's. Contact Andy Jackson G8JAC on 020-8651 2727 <a href="mailto:g8jac@btinternet.com">g8jac@btinternet.com</a>
13 <sup>th</sup> Apr (note 2 <sup>nd</sup> Tues)	Crystal Palace: Building your own Radio Equipment and Testing Valves @ All Saints Church Parish Rooms, Beulah Hill from 7:30pm. Bob G30OU 01737 552170 (Meet monthly on 1 <sup>st</sup> Friday) <a href="http://members.aol.com/rfcburns">http://members.aol.com/rfcburns</a>
13 <sup>th</sup> Apr	W&DARS – Surplus Equipment Sale @ Martin Way Methodist Church, Buckleigh Avenue, MERTON PARK SW20 9JZ – 7.30 for 8pm 2 <sup>nd</sup> & last Friday's Details: Jim M0CON on 020-8874 7456 <a href="http://www.gx3wim.org.uk/">http://www.gx3wim.org.uk/</a>
<b>16<sup>th</sup> Apr</b>	<b>Fix-It, Advice, Chin-Wag, Move-It-On</b>
17 <sup>th</sup> Apr	Bromley & District – TBA - Meetings normally on 3 <sup>rd</sup> Tuesday's @ Victory Social Club, Kechill Gardens, Hayes – 7.30 for 8. Paul M3PGW <a href="mailto:bdars@greenwand.net">bdars@greenwand.net</a> or <a href="http://www.bdars.org.uk">www.bdars.org.uk</a>
17 <sup>th</sup> Apr	Reigate Amateur Transmitting Society – 'Digital Radio Mondial' an Audio Demonstration by Daniel M0ERA. Main meeting 3 <sup>rd</sup> Tuesday's at RNIB, Redhill College, Philanthropic Road, Redhill 7.30pm. <a href="http://www.qsl.net/rats">www.qsl.net/rats</a> or <a href="mailto:rats@qsl.net">rats@qsl.net</a>
19 <sup>th</sup> Apr	Sutton & Cheam RS – 'The Work of the RSGB EMC Committee' by Colin G3YCR. Meetings @ Vice Presidents Lounge, Sutton United Football Club, Gander Green Lane, Sutton – 7.30 for 8pm. Sec: John G0BWV 020-8644 9945 <a href="http://www.scrs.org.uk">www.scrs.org.uk</a>
24 <sup>th</sup> Apr	Dorking & District Radio Society – normally meet on 4 <sup>th</sup> Tuesdays @ Friends Meeting House, Butterhill South Street, Dorking – opp. Spotted Dog. Details: Walter Blanchard, G3JKV on 01306 884359 <a href="mailto:wb@g3jkv.co.uk">wb@g3jkv.co.uk</a>
<b>23<sup>rd</sup> Apr</b>	<b>VHF NFD 2007 Planning Meeting @ John's G8IYS – RSVP</b>
25 <sup>th</sup> Apr	Mitcham & District ARS (Meetings normally last Wednesday of each month) @ ATC Headquarters, Commonsides West, Mitcham. Sec: Mike Knott G0WCR 020-8764 4716
27 <sup>th</sup> Apr	W&DARS – "On Air" and Construction @ Martin Way Methodist Church, Buckleigh Avenue, MERTON PARK SW20 9JZ – 7.30 for 8pm 2 <sup>nd</sup> & last Friday's Details: Jim M0CON on 020-8874 7456 <a href="http://www.gx3wim.org.uk/">http://www.gx3wim.org.uk/</a>
<b>14<sup>th</sup> May</b>	<b>Constructing Evening</b>
<b>4<sup>th</sup> Jun</b>	<b>BBQ @ G3ZPB's</b>
<b>2<sup>nd</sup> Jul</b>	<b>Construction Contest</b>
<b>6<sup>th</sup> Aug</b>	<b>TBA</b>
<b>3<sup>rd</sup> Sep</b>	<b>TBA</b>
<b>1<sup>st</sup> Oct</b>	<b>Autumn Surplus Equipment Sale</b>

SRCC Meetings indicated in BOLD with venue of Terra Nova

## Rally Calendar, etc:

15 <sup>th</sup> Apr 07	<b>West London Radio and Electronics Autumn Show</b> – Kempton Park <a href="http://www.radiofairs.co.uk">www.radiofairs.co.uk</a> – Additional attractions of craft tables and RSGB Top Ham Contest. Programme also includes VHF Talk-In managed by Whitton (GB2KRT), and Bring & Buy Sale run by CATS. Restaurant on the 2 <sup>nd</sup> Floor with those glorious views over the racecourse.
20 <sup>th</sup> May 07	<b>Dunstable Downs Radio Club Boot sale.</b> Details: <a href="http://www.ddrcbootsale.org/">http://www.ddrcbootsale.org/</a>
15 <sup>th</sup> Jul 07	<b>McMichael Rally and Boot Fair</b> Reading RFC, Sonning Lane RG4 6ST Open 9:30am, entrance fee £2.00. Details <a href="http://www.radarc.org/MMRally.htm">http://www.radarc.org/MMRally.htm</a>

## Web-Site of the Month

From Charles M0BIN this month take a look at:

Need plenty of time for this one:

<http://www.soldersmoke.com/>

Bookmarks for a lifetime:

<http://k17r.ham-radio.ch/>

QRP Mailing List:

<http://mailman.qth.net/mailman/listinfo/qrp-/>

Rev George Dobbs G3RJV Sale:

<http://www.g3rvj.org.uk/>

A piece of History – Good stuff:

<http://hnsa.org/doc/radio/index.htm>

MFJ-259B Calibration:

[http://www.w8ji.com/mfj-259b\\_calibration.htm](http://www.w8ji.com/mfj-259b_calibration.htm)

One for Bernie (may not be working though):

<http://g4oep.atspace.com/index.htm>

Palstar Aerial Analyser:

[http://www.nevadaradio.co.uk/acatalog/Palstar\\_ZM-30\\_Analyser.html](http://www.nevadaradio.co.uk/acatalog/Palstar_ZM-30_Analyser.html)

Basics of Compiler Design:

<http://www.diku.dk/hjemmesider/ansatte/torbenm/Basics/basics.pdf>

Amidon:

<http://www.amidoncorp.com/>

Keep one amused for a while:

<http://www.w8ji.com/>

Vintage QSL Card Collection:

<http://www.qslcollection.co.uk/>

Suppliers?:

<http://www.keele.ac.uk/depts/por/hambase.manufacturers.htm>

Make your own CW Paddle:

<http://www.norcalqrp.org/nb6mpaddles.htm>

Interesting stuff here:

[http://www.metaphoria.us/hamradio/ham\\_radio.htm](http://www.metaphoria.us/hamradio/ham_radio.htm)

American QRP Club:

<http://www.amqrp.org/>

Interesting stuff here:

<http://users.tpg.com.au/users/lbutler/index.htm>

SPRAT Datasheets:

[http://www.ggrp.com/q\\_spind.htm](http://www.ggrp.com/q_spind.htm)

Pulling Crystals even further:

<http://g4oep.atspace.com/pulling/pulling.htm>

A Homebrew 10m Transceiver:

<http://www.amqrp.org/projects/nb6m10/nb6m10.htm>

## Mills on the Air: 12<sup>th</sup>-13<sup>th</sup> May 2007

We are considering taking part again this year in this event – you may recall that we have operated from Shirley Windmill in the past. Before we make final arrangements we are seeking volunteers to help us out – please contact a committee member if you are interested.

## SRCC Club Dinner: 24<sup>th</sup> Mar 2007

24 members and wives/partners sat down to a very enjoyable dinner on Saturday night 24<sup>th</sup> March at the Mitcham Beefeater Park Place. Yours truly and Mary arrived late as we were coming back from a wedding in Harlow area and the M25 was shut between Jcn27 & Jcn29 for most the day causing jammed roads in the area and lots of travel delays!! At Park Place we were located in a private function room allowing lots of convivial chat, and a very pleasant atmosphere. We had a short speech from our Chairman Pat G4FDN when we remembered those lost over the last year and also various thanks given to committee members for their support and efforts over the last year. (and there was a joke – more next month including Pictures)

## VHF NFD 2007 – Meeting 23<sup>rd</sup> Apr 2007

Following the meeting held last Monday 26<sup>th</sup> Feb 2007, it has been agreed that SRCC will participate in VHF NFD 2007 and hopefully from the same site. Following a review of band performance and normalised scores a momentous decision was taken that for this year we shall run a station on 4m (70MHz) rather than 23cm.

To progress further we have now set the next meeting of the team with John G8IYS for Monday night 23<sup>rd</sup> Apr 2007 from 8pm at his QTH of 18 Riding Hill, Sanderstead, CR2 9LN. Please advise John of your intention to attend either on 020-8657 0454 or [johns@connectnet.org.uk](mailto:johns@connectnet.org.uk)

Remember this year's VHF NFD is being held over the weekend of 7<sup>th</sup>/8<sup>th</sup> July.

## Dorking 60<sup>th</sup> Reunion – 21<sup>st</sup> April 2007

I have received an Email from Walter G3JKV advising of an invite to the Dorking & District Radio Society 60<sup>th</sup> Reunion on 21<sup>st</sup> April. All old friends of the society are invited and I have already circulated by Email the invitation document detailing the event being held at The Garden Room, Denbies Vineyard, Dorking from 1100. Full details and booking form can be downloaded from [www.qsl.net/g8jxv/60th\\_do\\_invitation.pdf](http://www.qsl.net/g8jxv/60th_do_invitation.pdf). The booking form to reach Valerie Greenwell before 7<sup>th</sup> April. (Thanks to Tim G8JXV of RATS)

## New Member – Nicholas M3ZYD

We are pleased to welcome Nicholas M3ZYD, one of the successes from Trinity School. Among his interests are running amateur radio comms for the TSR cars at the Greenpower races, operating portable and using homemade aerials. Nick's Email is [nachrumka@yahoo.co.uk](mailto:nachrumka@yahoo.co.uk)

## SIGNING OFF:

I think that is it for this month - if I have missed anything I give my apologies and hopefully remember it next time.

So for our main meeting on April 2<sup>nd</sup> it is the AGM so please make every effort to attend and get your voice and views held on how the Club should move forward in these times when it is getting harder to attract new blood. A nomination slip is attached if you would like to put yourself forward to work on the committee. The "B" meeting is on April 16<sup>th</sup> and don't forget the **Kempton Rally on Sunday 15<sup>th</sup> April** – it will be good to see you all there – [www.radiofairs.co.uk](http://www.radiofairs.co.uk) for more details including the new TopHam contest.

Ray G4FFY

73 and 88

Posted: 30<sup>th</sup> Mar 2007



Ray G4FFY Roger G4WAY Gareth G4XAT Maurice G4DDY Peter 2E0UYP Graham G3RJW Robert M1MRS Pat G4FDN  
Current 2006/2007 SRCC Committee



**AGENDA FOR THE 67th ANNUAL GENERAL MEETING  
OF THE SRCC ON 2<sup>nd</sup> APRIL 2007**



1. CHAIRMAN declares nominations closed and meeting open.
2. MINUTES of previous AGM
3. CHAIRMAN's report
4. TREASURERS report. Accounts for 2006/2007
5. APPOINTMENT of Election Scrutineers (if necessary)
6. APPOINTMENT of Hon. Secretary
7. ELECTION of Committee. 7 posts
8. ELECTION of (from Committee)
  - (a) Treasurer,
  - (b) Chairman
  - (c) Vice Chairman
9. APPOINTMENT OF Accounts Independent Examiners  
- Vote of thanks to previous year's
10. PRESENTATION of AWARDS
11. ANY OTHER BUSINESS

MEETING CLOSED.

**NOMINATION FOR COMMITTEE 2007 - 2008** (Please return to Ray Howells G4FFY or before AGM start)

I ..... wish to nominate .....

For the position of **Secretary / Member** on the SRCC committee 2007 - 2008

If elected I agree to stand. Signed: ..... Date .....

(You may wish to photocopy this form rather than spoil the Newsletter)