



# SURREY RADIO CONTACT CLUB

**OCTOBER 2003** — No: 733

CLUB NET 1.905 MHz Sunday 9:30am  
 CLUB NET 144.325 MHz Friday 8:30pm  
 CLUB NET 145.500 MHz and Down Thursday 7.00pm

CLUB Internet WEB Site:  
<http://www.g3src.org.uk>

Hon. Sec. Ray Howells G4FFY  
 9 Aultone Way  
 SUTTON  
 Surrey SM1 3LD  
 (020) 8644 7589  
 E-Mail: [secretary@g3src.org.uk](mailto:secretary@g3src.org.uk)

**MONTHLY MEETINGS 1<sup>ST</sup> AND 3<sup>RD</sup> MONDAYS 7.45 FOR 8pm**

Normally AT THE T.S. TERRA NOVA, 34 THE WALDRONS, SOUTH CROYDON, CR0 4AZ

\*\*\*\*\*

**"A" MEETING 6<sup>th</sup> Oct 2003**

**AUTUMN SURPLUS EQUIPMENT SALE**

**"B" MEETING 20<sup>th</sup> Oct 2003**

**FIX-IT, ADVICE, CHIN-WAG, CLUB STATION + "MOVE-IT-ON"**

Chairman	G4XAT Gareth Evans	020-8462 2837
Vice-Chairman	G4WAY Roger Holyoake	020-8689 7089
Treasurer, Liaison & Equipment	G4DDY Maurice Fagg	020-8669 1480
Secretary, Membership & Communications	G4FFY Ray Howells	020-8644 7589
VHF Co-ordinator (Co-Opted)	G8IYS John Simkins	020-8657 0454
Publicity & HF Co-ordinator	M1MRS Robert Shepperley	020-8687 0811
Members	G3RJW Graham Marshall	020-8669 8722
	G4FDN Pat McGuinness	020-8643 0491
	G8TB Bernie Wynn	020-8660 7517

## Dear Members & Friends

Hello and welcome to the October 2003 newsletter which is being written following our late Summer holiday – Mary & I went to North Wales for a week stay in Penmaenpool, near Dolgellau and it was a nice week at the backend of the Indian summer. The George III hotel is located on the bank of the Mawddach estuary and dates back to the 16<sup>th</sup> century. We stayed in its adjacent lodge, which was the old station building (last saw trains in 1964 and bought by the hotel in the 70's).



George III Hotel, Penmaenpool LL40 1YD – at dusk

For the "A" meeting on Monday 6<sup>th</sup> October we are holding our regular Autumn Surplus Equipment Sale, with the "B" meeting being held on 20<sup>th</sup> October; both at TS Terra Nova as usual. We have added the postcode for use with [Multimap](#) or [Streetmap](#) (CR0 4AZ)

## NEXT "A" MEETING: Monday 6<sup>th</sup> Oct 2003

### Autumn Surplus Equipment Sale

We hope there will be a good turnout for this **Autumn Sale**, when members can bring along items for sale and also items to be donated to the club. It is very helpful, as in the past, for sellers to be in the clubroom well before 8 o'clock, and no boxes of "rubbish" please. All members and visitors they have brought along must sign the attendance book and all must be conversant with the rules.

**Note** that the club accepts no responsibility for goods sold at this private sale, and the purchasers buy on the understanding that they are capable of determining the usability, fitness for purpose and SAFETY of goods obtained. The following also applies:

1. Only SRCC members are permitted to sell.
2. All items not donated must be marked with the name or callsign of vendor, brief description and details of any reserve price.
3. Bids should be in steps of 5p up to £1 and 25p thereafter.
4. Visitors are welcome but must be introduced by a member who is responsible for informing them of the rules.
5. All members and VISITORS must sign the attendance book.
6. Sellers will not be paid until all buyers have settled up.
7. The club levies 15% on all transactions.
8. Please try and arrive early to allow start by 8 o' c.
9. **PLEASE KEEP THE DOORWAY CLEAR FOR FIRE PRECAUTIONS.**
10. SMOKERS are requested to keep to the rear of the room.

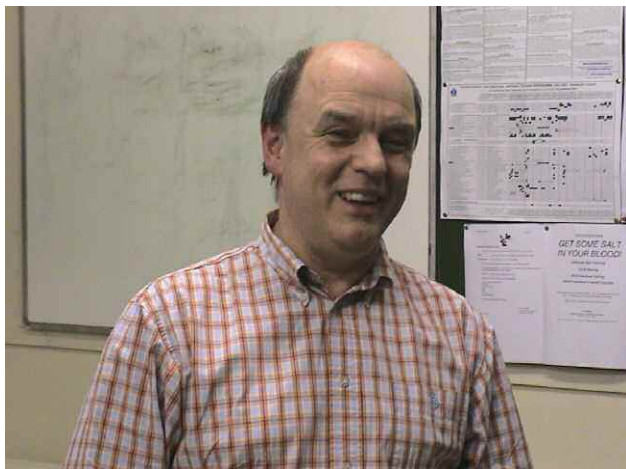
**NEXT "B" MEETING: Monday 15<sup>th</sup> Sep 2003  
FIX-IT, Advice, Chin-Wag & "MOVE-IT-ON"**

The "B" meeting on Monday 20<sup>th</sup> October will be the regular "Fix-It" and advice evening with the extra twist. If you have a radio item or anything else that you just wish to clear out then bring it along - you never know it may be just what another member is looking for!

The Fix-It section has proved very interesting and successful so please bring along that item that has been giving you grief - the collective heads at the meeting usually come up with something.

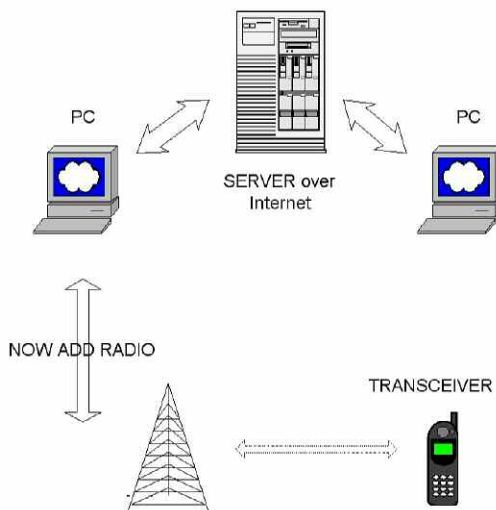
**LAST "A" MEETING: Monday 1<sup>st</sup> Sep 2003  
i-LINK with Terry Giles G4CDY**

A good turnout was achieved for this excellent evening when we welcomed Terry Giles G4CDY and his presentation on i-Link.



Terry started his talk with how do we use the Internet for Amateur Radio

- Web pages, QSLs, etc;
- Remote access to receiver from around the world;
- Linking to Repeaters and Gateways around the world by using Internet Links.



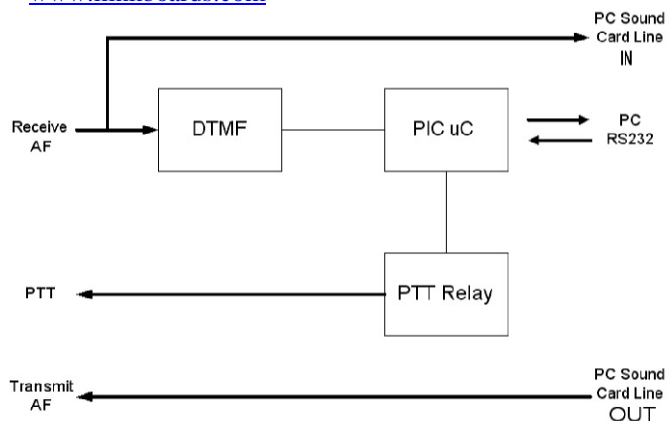
PC to PC via a server over the Internet for Amateurs is now achieved by using EchoLink<sup>®</sup> (previously i-Link) and the software is downloaded from [www.echolink.org](http://www.echolink.org)

Maurice G4DDY and I have now successfully achieved communications between our PCs over the Internet. We needed to solve Port Addressing for the TCP5200 and UDP5198 and UDP5199.

Adding the radio is done either via a full duplex repeater, or a simplex gateway. In our area simplex gateways are Terry G4CDY-L on 145.2875MHz or Martin G4FKK-L on 430.025MHz. I liked Terry's explanation that adding the radio extends the microphone and loudspeaker.

Terry's own site ([www.g4cdy.co.uk](http://www.g4cdy.co.uk)) describes the "Ultimate Linking Interface" - the box between your Transceiver and the Computer.

A list of all licensed nodes can be found on <http://www.dcc.rsgb.org/> under the Internet Linking tab. One can build you own node but you will need a NOV from the RSGB - available on line under above dcc link. One should ideally have a wideband Internet connection, a Pentium 100 grade PC or better, 32MB RAM and reasonable Hard Disk Drive, a 144/432MHZ transceiver with a good heatsink!! and an Interface board. Try [www.ilinkboards.com](http://www.ilinkboards.com)



Interface Block Diagram

Terry further explained his own gateway G4CDY-L, which had had some 1000hrs of operation, with 5673 connections since 1<sup>st</sup> Jan 2002 and unknown number of radio users! It has had 3 updates of the Server Software but no examples of abuse from the Internet forcing a shut down. It is running EchoLink<sup>®</sup> using Carrier operated switching. It will have the ability for the radio user to send CAT commands to the transceiver. It has been highly reliable with auto-reboot of the PC if the Windows98 crashes!

G4CDY-L is on 145.2875MHz Simplex with 2.5kHz Deviation, 10W ERP (5W to a 3dB Colinear), DR150E Transceiver, WB2REM interface board, 100MHz Pentium and Blueyonder Broadband.

Thank you Terry for an excellent evening and presenting to us another niche of the hobby.

**LAST CLUB TRIP Saturday 6<sup>th</sup> Sep 2003  
Trip to IOW on Spectrum II**

Thanks to the kind offer of Peter G3ZPB, he took three of us Prue G4RWW, Roger G4WAY and myself on his boat 'Spectrum II' to the Isle of Wight on Saturday 6<sup>th</sup> September.

We left Warsash Marina at around 10am on a day promising nice weather and made a fast, exhilarating trip to East Cowes. The four of us then hired a taxi to take us to the IOW Steam Railway Wotton station where we board a service to Havenstreet. There we broke our journey to have a picnic lunch and tour the facilities. We then continued the journey to Smallbrook Junction, which has a link to the Island Line (using Underground stock), and then returned to Wotton. We got back to East Cowes by Taxi, which turned out to be the same driver as the outward journey who had a wealth of knowledge.

Liquid refreshment was followed by a return trip on Spectrum II to Warsash, even faster this time reaching 40knots!! Peter G3ZPB is an excellent skipper and demonstrated superb seamanship skills – photos next mth.

The enjoyable day was completed with a great meal in a local pub in Warsash – The Jolly Farmer Country Inn.

This was a great trip, no worries, relaxing, and enjoyable with great company. Thanks to Peter G3ZPB for being a great skipper, and to Prue G4RWW for doing all the driving from Croydon to Warsash and return.

## THE CALENDAR SECTION

### SRCC and Local Club Meeting Dates:

3 <sup>rd</sup> Oct	Crystal Palace – Natter night/Club projects/Morse Class @ All Saints Church Parish Rooms, Beulah Hill. 7:30 for 8pm. Bob G3OOU 01737 552170 (Meetings 1 <sup>st</sup> and 3 <sup>rd</sup> Fridays) <a href="http://www.qsl.net/g3oou/id3.htm">http://www.qsl.net/g3oou/id3.htm</a>
6 <sup>th</sup> Oct	<b>Autumn Surplus Equipment Sale</b>
10 <sup>th</sup> Oct	W&DARS – Microwave Forum by Jim G4WYJ @ St. Andrew's Church Hall, Herbert Road, Wimbledon – 7.30 for 8pm 2 <sup>nd</sup> & last Friday's Details: Jim M0CON on 020-8874 7456 <a href="http://www.wadars.thersgb.net">http://www.wadars.thersgb.net</a>
13 <sup>th</sup> Oct	CATS – Laser Communications by Derek Atter G3GRO & Alan Wyatt G8LSD. <b>Open to STARS.</b> Meetings held @ St. Swithun's Church Hall, Grovelands Rd, Purley 8pm 2 <sup>nd</sup> Monday's. Contact: Andy G0KZT 01737-552139. <a href="mailto:cats@briersa.fsbusiness.co.uk">cats@briersa.fsbusiness.co.uk</a>
16 <sup>th</sup> Oct	Sutton & Cheam RS – 'The History of Police Radio' with Jason Wright. Meetings @ Vice Presidents Lounge, Sutton United Football Club, Gander Green Lane, Sutton – 7.30 for 8pm. Sec: John G0BWV 020-8644 9945 <a href="http://www.scrs.org.uk">www.scrs.org.uk</a>
17 <sup>th</sup> Oct	Crystal Palace – Mosquito Aeroplane, Victor G1PKS followed by German Strategic Bomber Design 1938-1945, Brian G8DIU @ All Saints Parish Rooms, Beulah Hill – 7:30 for 8pm. Further details from Sec: Bob G3OOU 01737 552170 – <a href="http://www.qsl.net/g3oou/id3.htm">http://www.qsl.net/g3oou/id3.htm</a>
20 <sup>th</sup> Oct	<b>Fix-It, Advice, Chin-Wag, Move-It-On</b>
21 <sup>st</sup> Oct	Bromley & District – Meetings on 3 <sup>rd</sup> Tuesday's @ Victory Social Club, Kechill Gardens, Hayes – 7.30 for 8. Alan G0TLK 020-8777 0420 <a href="http://www.bdars.org.uk">www.bdars.org.uk</a>
22 <sup>nd</sup> Oct	Crawley ARC – John Logie Baird & the Development of Television with Jon Weller G0GNA. Meetings held @ Hut 18, Tilgate Forest Recreational Centre, Tilgate Forest, Crawley – 7.30pm. Jerry G0FPI 01293-512932 <a href="http://www.carc.org.uk">www.carc.org.uk</a>
28 <sup>th</sup> Oct	Dorking & District Radio Society – Meetings normally 4 <sup>th</sup> Tuesdays @ Friends Meeting House, Butterhill South Street, Dorking – opp. Spotted Dog. Details: Jon G0GNA 01306-883718
29 <sup>th</sup> Oct	Mitcham & District ARS (Meetings normally last Wednesday of each month) @ ATC Headquarters, Commonsides West, Mitcham. Sec: Mike Knott G0WCR 020-8764 4716
31 <sup>st</sup> Oct	W&DARS – AGM @ St. Andrew's Church Hall, Herbert Road, Wimbledon – 7.30 for 8pm 2 <sup>nd</sup> & last Friday's Details: Jim M0MCN on 020-8874 7456 <a href="http://www.wadars.thersgb.net">http://www.wadars.thersgb.net</a>
3 <sup>rd</sup> Nov	<b>Top Band Members Evening with Martin G4FKK</b>
1 <sup>st</sup> Dec	<b>“The Good Life” with Gareth G4XAT</b>
5 <sup>th</sup> Jan 04	<b>“Telescopes – exploding the myths” with Peter G4WPB</b>
2 <sup>nd</sup> Feb	<b>“Zen and the art of HRO rebuilding” with Brian G8DIU</b>
1 <sup>st</sup> Mar	<b>Spring Surplus Equipment Sale</b>

SRCC Meetings indicated in **BOLD** with venue of Terra Nova unless otherwise stated.

## Rally Calendar, etc:

26 <sup>th</sup> Oct	West London Radio & Electronics Rally, Kempton Racecourse. Details: Paul M0CJX 01737 279108 E-Mail: <a href="mailto:m0cjx@ntlworld.com">m0cjx@ntlworld.com</a> Web: <a href="http://www.kemptonrally.co.uk">www.kemptonrally.co.uk</a>
23 <sup>rd</sup> Nov	CATS Bazaar – <a href="mailto:andy@briersa.fsbusiness.co.uk">andy@briersa.fsbusiness.co.uk</a>

## CATS BAZAAR 23<sup>rd</sup> Nov 2003

Andy Briers G0KZT has invited the club to take part in CATS annual radio Bazaar being held at the 4<sup>th</sup> Purley Scout HQ, behind the Post office in Lion Green Road, Coulsdon on Sunday 23<sup>rd</sup> November 2003.

Doors open at 10am and close at 1pm. Entry is just £1 per person that includes a free cup of tea/coffee and an instant raffle. There will also be light refreshments available at extra cost (the sausage rolls are always popular).

## CHAIRMAN MEOW - October 2003



Back to work came as the usual shock to the system, but it's nice to have a 3-course meal back on the table every lunchtime, courtesy of the outstanding catering service at school! I have an excellent group of lower 6th Electronics students (12) and at the moment they are all eager to learn the craft of electronics and one has already expressed interest in radio!

My homegrown hop crop (Goldings and Fuggles) has been harvested and dried, then vacuum packed (using a vacuum cleaner!) and are now in the deep freeze wrapped in foil. This treatment keeps them fresh for well over a year, ensuring the vital aroma remains to flavour the beers of the future. The task of picking many thousand hop flowers becomes just a little monotonous, however wonderful the aroma is. However, from a cost point of view the exercise is almost futile, but knowing the origin of what is in your food and drink is, I feel, important. Many modern beers never even see a hop, the mega-breweries choosing manufactured chemists concoctions instead. Whilst this produces a consistent 'product', I think it lacks real taste, a feature I have come to appreciate since I moved from "kit'n'kilo" to full mash brewing. If you want to know more, you'll have to come to my December talk where not only will I demonstrate the part of the brewing process (with finished samples to try) but time permitting, I hope to include information about food preservation by the process of home smoking food, both hot and cold.

Ray has been using a rather 'stern' looking photo of me as a heading for the last couple of months. If I recall it was taken by one of my pupils at the Brooklands Greenpower heat. I was probably in mid-exposition about how it was essential that our drivers practiced 'non-contact' motorsport. Our cars are not built to withstand impact with other cars or objects and to win, racing for the full 6 hours is the ideal. Hence the 'stern face'!!

Our next A meeting is our autumn 'junk' sale and although I tend to be more cautious in my purchases these days, there is usually something to tempt even the most cautious bidder! We then have something a little closer to home, with talks about our recent successes with the club Sunday top band net and how some of us have produced good signals on 160M. See you there.....

STOP PRESS: On Sunday 21st we took both our electric cars to the Greenpower heat held at Bedford Autodrome. A wonderful days racing was had, with perfect weather and track conditions giving ideal conditions for our cars. Our older car, Trinifinity, managed 114 miles in the 6 hours and an overall 6th place, with four new drivers taking the wheel for the first time. Our new car, Trinifinity Too, rapidly showed the expected pace and was leading after about 10 minutes. Unfortunately we were troubled by chain alignment problems during the race which took us out of first place, but we set the fastest lap (again) with an AVERAGE speed of 30 mph(!) and a highest speed of 40.5 mph. All this on 1/3 of a horsepower!! For the first time we had data logging on the car, but it failed after an hour (an 'ibutton' taped to the motor body!) We also had a simple ammeter and an average amps reading that proved invaluable, helping drivers refine their technique and gear selection.

Gareth G4XAT

{Ray's Note: I have used a more "friendly" picture this month!!}

## Members News

### - Richard Sutton

At the last "B" meeting Richard brought along an ATU with built-in Cross-needle SWR Bridge, which unfortunately following a flashover, had all the settings upset. With the combined efforts of those assembled the bridge was recalibrated on its power ranges and some progress made on the SWR side as well. An interpolation chart was also made up to help Richard with SWR readings.

A successful fix-it evening at the last "B" meeting so if you have a challenge – bring it along next time.

### - Graham G3RJW

Would you please update your membership lists for Graham's telephone number to: 020-8647 1186

### - Charles MOBIN

Following Charles now venturing into the world of broadband, I have been advised of a new E-mail Address: [m0bin@m0bin.demon.co.uk](mailto:m0bin@m0bin.demon.co.uk)

### - Graham G4NPD

It appears I have been promulgating the wrong telephone number for Graham, which should be amended to: **020-8663 0876**

### - Tony G3GHI

I recently received an E-Mail from Tony seeking advice on suitable Aerial installers that could be recommended for, say, an aerial erection on a chimney. Tony would be pleased to hear from anyone who could suitably advise: [tony.g3ghi@btopenworld.com](mailto:tony.g3ghi@btopenworld.com) or **020-8660 4068**

### - Phil G1LKJ

Phil has advised me of his new E-mail address as follows: [phil.manning1@ntlworld.com](mailto:phil.manning1@ntlworld.com).

Phil has also been in the wars recently when last week he suffered chest pains and not feeling too good and so spent 2-days in hospital whilst they investigated the problem. He was discharged but last Sunday he awoke to pin and needles in his right arm and not feeling too good again and spent another 2-days in hospital. They eventually discovered that his Cholesterol level was extremely high and has been put on pills for the rest of his life. He still has the gastric problem though!

### - Alan G7ELG

I recently received the following from Alan describing his new HF Antenna:

"The gadget is called the T4 mini beam made by Sandpiper. It covers 6.10.15 and 20 metres. It is under 7ft in length very light. Easy to tune, Vx and Vt Stateside come rolling in and my first H.F. contact was RA3DQY Victor nr Moscow I was using 80 Watts with mast up on the side of the house.



T4 Mini Beam Aerial with Alan G7ELG



Alan G7ELG showing Ground Plane system

It is very small and against the sky hardly visible. The answer if you are like me and have a tiny garden.

73s Alan G7ELG"

### - Britta's G1DWL Daughter

I have heard that Britta's daughter is not very well at the moment and may I on behalf of the Club send her our best wishes for a speedy recovery.

### - Internet Sites for Electronic Bits

Try these thanks to Charles MOBIN and Gareth G4XAT:  
<http://users.pandora.be/educyclopedia/electronics/electronicopening.htm>  
<http://custom1.farnell.com/cpc/>

### - Unique Counterpoise

Gareth G4XAT has suggested using a 10m tape measure, obtainable at reasonable cost from CPC (url above):  
 Item: TL0490866 Hilka 10m Steel Rule £4.07+ VAT

### SIGNING OFF:

That's it for this month - if I have missed anything I give my apologies and hopefully remember it next time.

Anyway in closing I hope that many of you, guests and friends will attend next Monday's (6<sup>th</sup> Oct) Autumn Surplus Equipment Sale at TS Terra Nova.

Ray G4FFY

73 and 88

Posted: 2<sup>nd</sup> Oct 2003

Arrival Time is dependant upon Postal strikes!